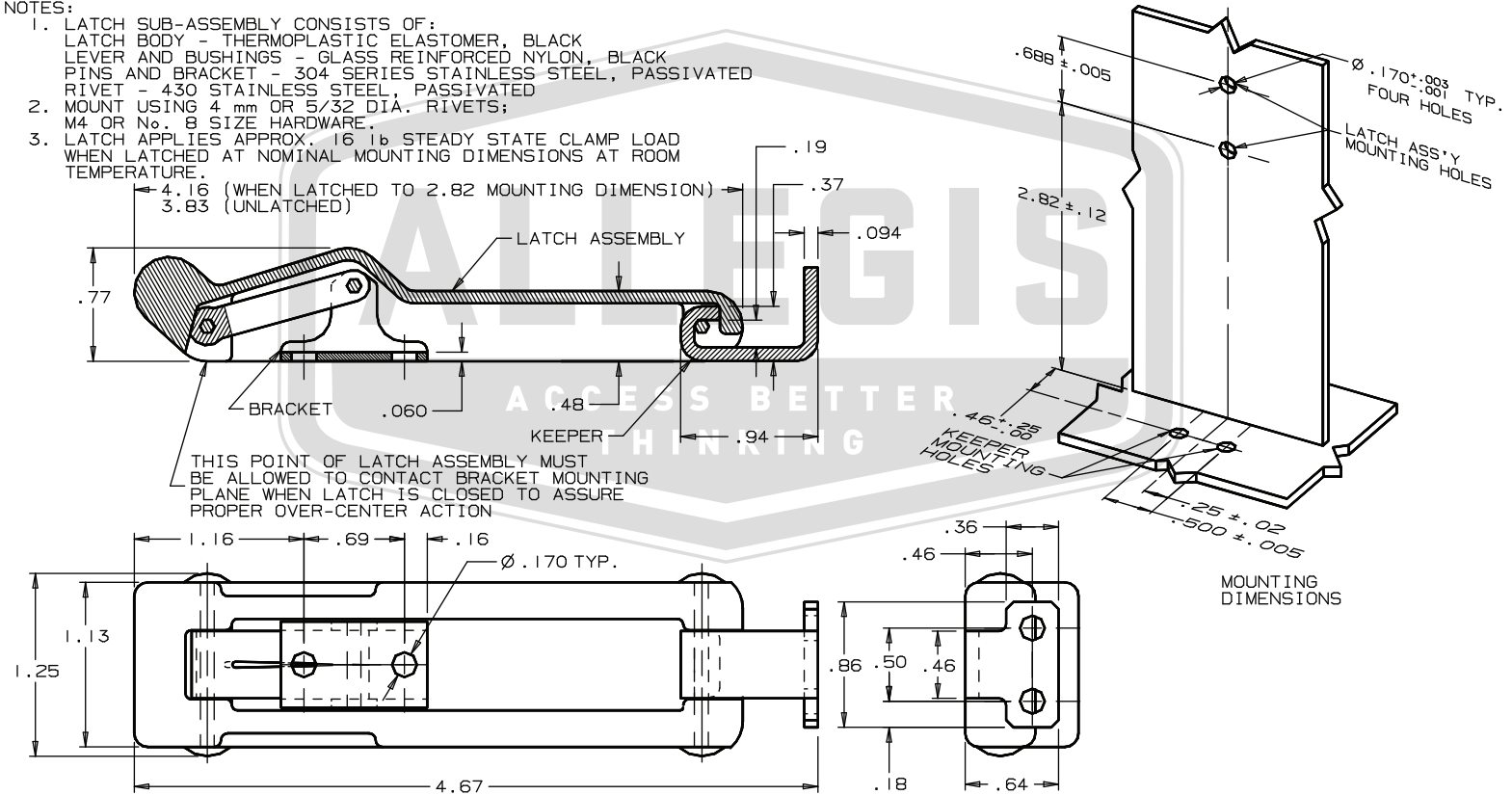


REV.	DATE	BY-CHKD	REVISIONS	ITEM	COMPONENT	PART NO.	MATERIAL	FINISH
A	12/18/89	RES	ADDED MNTG DIMS. DETAIL; ADDED NOTE RE LATCH CONTACT	ASSEMBLY		C7-12		
B	7/30/90	JAD	PRN: C7-11		LATCH SUB-ASS'L'Y		SEE NOTE 1.	SEE NOTE 1.
C	12-20-90	RHB	PRN C7-14		KEEPER		TYPE 304 STAINLESS STEEL	PASSIVATED
D	12JAN93	KPL	PRN: S-1-03					
E	08DEC95	AJH	PRN: C7-34					

NOTES:

- LATCH SUB-ASSEMBLY CONSISTS OF:
 LATCH BODY - THERMOPLASTIC ELASTOMER, BLACK
 LEVER AND BUSHINGS - GLASS REINFORCED NYLON, BLACK
 PINS AND BRACKET - 304 SERIES STAINLESS STEEL, PASSIVATED
 RIVET - 430 STAINLESS STEEL, PASSIVATED
- MOUNT USING 4 mm OR 5/32 DIA. RIVETS;
 M4 OR No. 8 SIZE HARDWARE.
- LATCH APPLIES APPROX. 16 lb STEADY STATE CLAMP LOAD
 WHEN LATCHED AT NOMINAL MOUNTING DIMENSIONS AT ROOM
 TEMPERATURE.



ALLEGIS		1-866-378-7550
MATERIAL:	Rubber, Stainless Steel	DRAWING NO. : C7-12
FINISH:		
REV.:	1:1	DATE: 5/29/2019